

Thundercomm

Qualcomm Dragonwing IQ9 Series Processor C9100DK Development Kit

August 2025

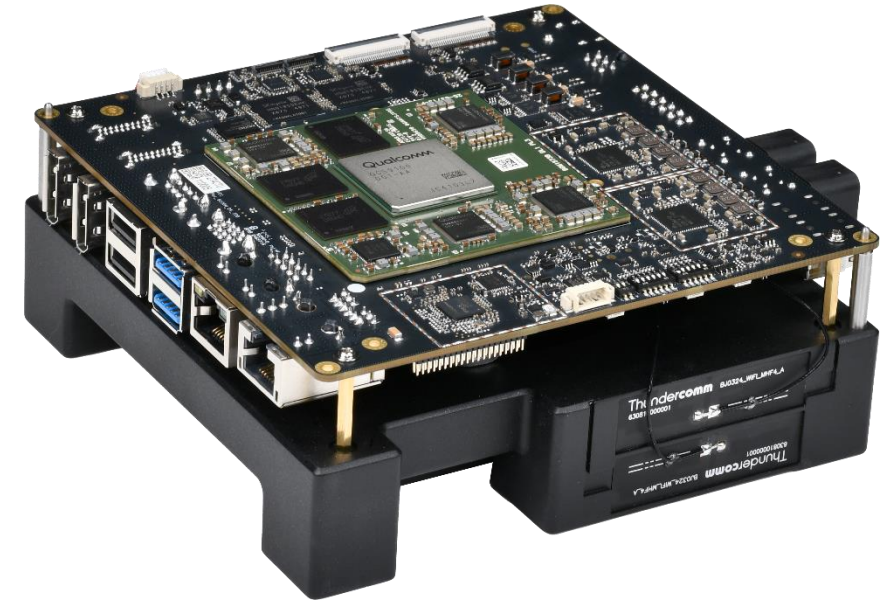
www.thundercomm.com

Copyright Thundercomm Technology Co., Ltd. 2016-2023 All right reserved



HW Spec

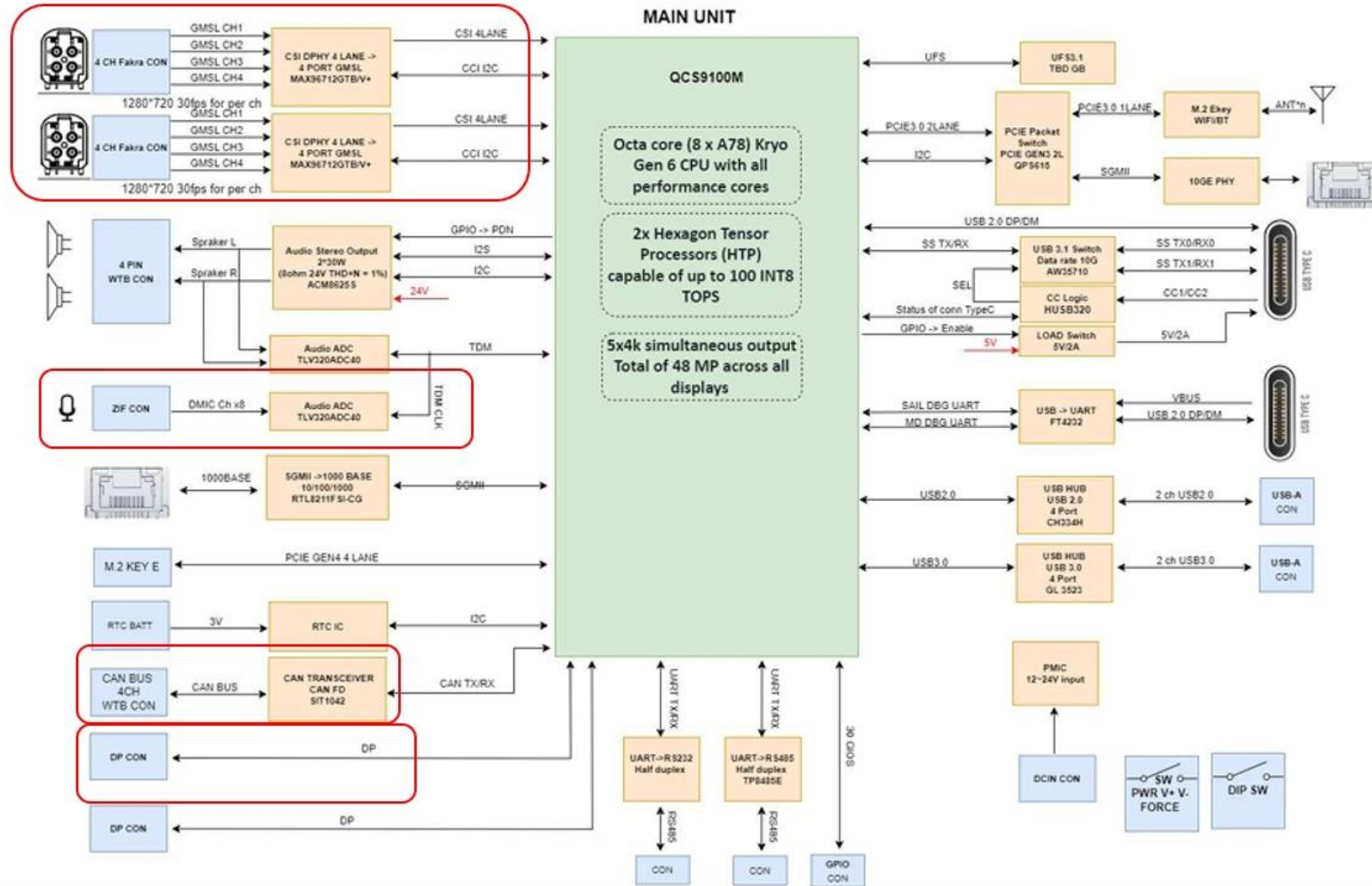
Platform	OS	LIINUX
	SoC	Qualcomm® QCS9100M
	CPU	Qualcomm® Kryo™Gen 6 CPU built on Arm v8.2 Cortex technology
	GPU	Qualcomm® Adreno™663 GPU
	NPU	Dual V73, four HVX, two HMX, up to 1.5 GHz
System Memory	Video Processor	decode 4k275, encode 4k170, concurrent 4k120 decode/encode
	RAM	36GB LPDDR5
Storage	Flash	256GB UFS3.1
	Expansion	1 x 4 lane M.2 M-key 2280 for NVME SSD
I/O Interface	HDMI	2 x DP out
	Camera	8 x GMSL Camera interface
		2 x CSI 8 lane Camera connector
	Ethernet	1 x RJ45 Gigabit Ethernet (10/100M/1000M)
		1 x RJ45 10GBASE-T
	USB	2 x USB3.0 Type-A, 1 x USB3.1 Type-C
		2 x USB2.0 Type-A
	Audio	2 x Speak Connector
		2 x DMIC Connector, Support 8 x DMICs
	Debug UART	1 Type-C for debug UART
	CAN and RS485 Port	Phoenix connector, 1 x RS485, 4 x CAN
	IO expansion	40pin connector for Sail and MD GPIO and RS232
	FAN	2 FAN Connector
	Wireless Connectivity	WIFI
Input & Indicators	Buttons	Power button, Reset button
	LEDs	5 x LED Power status, IO Status
Others	RTC with Battery	CR2032 RTC battery
Power	DC Input	Support DC input range of 12V to 24V
		DC5.5x2.5 or Microfit connector
Mechanical	Dimensions	135mm x 135mm x 150mm
Environment	Storage Temperature & Humidity	-40°C~80°C, 5%~95% non-condensing



DK HW Block Diagram

Thundercomm

9100M DK HW_Block_Diagram V02



Notes:
The functions in the red diagram parts are not yet implemented in the development kit




Thundercomm

Empowering Every IoT Device with Our Technology

San Diego, USA


5405 Morehouse Drive, STU 210
San Diego CA 92121

 +1-408-660-8800

 service@thundercomm.com

Beijing, China

ThunderSoft Building, Building 3, No.9
Qinghua Dong Road, Haidian District,
Beijing, China,100083

 +86-10-82398696

 service@thundercomm.com

Tokyo, Japan

9F Osaki wiz tower Building, 2-11-1
Osaki, Shinagawa-Ku, Tokyo, Japan,
141-0032

 service@thundercomm.com

Seoul, Korea

#401, 4fl, Uspace 2-B, 670,
Daewangpangyo-ro, Bundang-gu,
Seongnam-si, Gyeonggi-do, 13494
Korea

 service@thundercomm.com

Ulm, Germany Ulm

Magirus-Deutz-Str. 13 89077 Ulm

 service@thundercomm.com

www.thundercomm.com