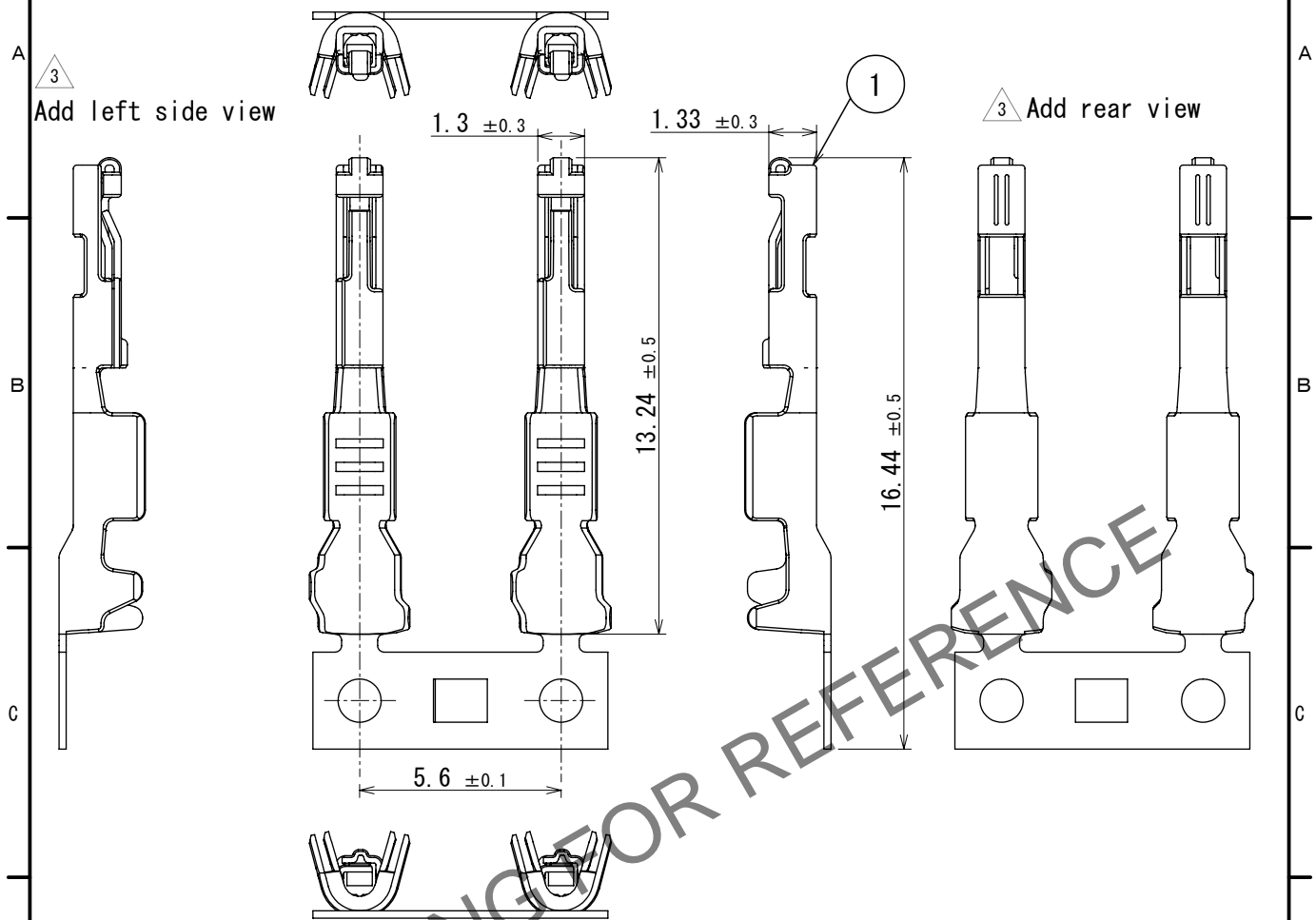
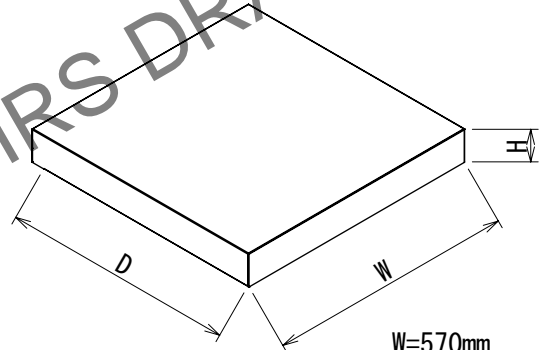


Dec.1.2025 Copyright 2025 HIROSE ELECTRIC CO., LTD. All Rights Reserved.
In case of consideration for using Automotive equipment / device which demand high reliability, kindly contact our sales window correspondents.

ELV. RoHS COMPLIANT



PACKING STYLE



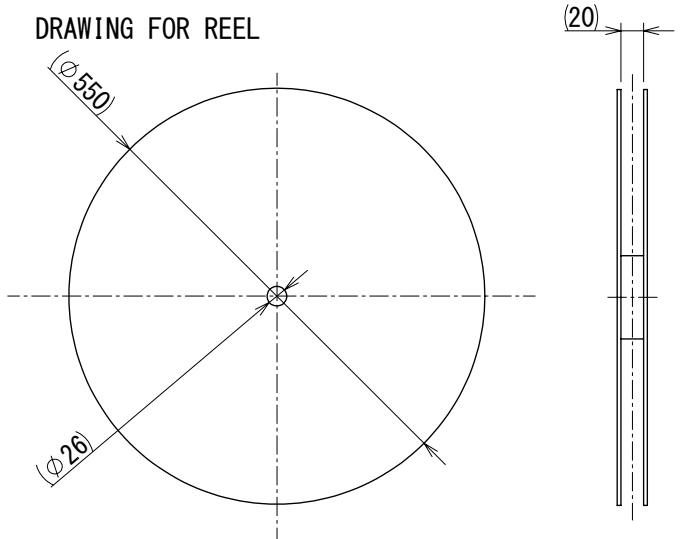
W=570mm
D=570mm
H= 50mm

Note1. 10,000PCS/RL

2. REGARDING HOW TO HANDLE THE PACKAGED PRODUCTS, PLEASE REFER TO THE ETAD-T0946-00 「INSTRUCTION MANUAL FOR HANDLING OF REEL PACKAGING CONTAINING CRIMP TERMINALS」

3. PLEASE REFER TO HANDLING PROCEDURE MANUAL ETAD-T0649-00 CRIMPING QUALITY STANDARDS ETAD-T0589-00 AND CRIMPING CONDITION TABLE ETAD-T1083-00

DRAWING FOR REEL



1	COPPER ALLOY	SURFACE : TIN PLATING 1μm min UNDER : COPPER PLATING 0.3μm min
NO.	MATERIAL	FINISH , REMARKS

TOLERANCES SEE TABLE FOR SPECIFIED, UNLESS OTHERWISE		UNITS mm	COUNT	DESCRIPTION OF REVISIONS	DESIGNED	CHECKED	DATE
OVER	TO	TOLERANCE	3	DIS-T-00025536	AN. SAIKI	TY. MOGI	2025. 11. 11
6	18	±0.3	APPROVED : HK. UMEHARA	2017. 03. 16	DRAWING No. EDC-368625-00-00		
6	18	±0.5	CHECKED : HK. UMEHARA	2017. 03. 16	PART No. ZE05-2022SCF		
18	50	±0.7	DESIGNED : TY. ISHIGURO	2017. 03. 16	CODE No. CL0752-2001-0-00		
50	125	±1	DRAWN : MN. SATOH	2017. 03. 16			

ASSEMBLY DRAWING