

FVF Series

150°C Long Life

High Ripple Current

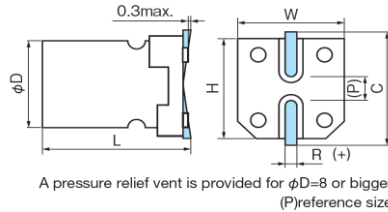
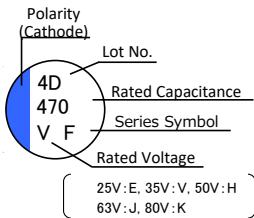
- 125°C 4,000 hours, 135°C 4,000hours, 150°C 4,000hours
- Solvent proof (within 2 minutes)
- AEC-Q200

UPGRADE

■ Specifications

Items	Condition	Specifications				
Rated voltage (V)	—	25	35	50	63	80
Surge voltage (V)	Room temperature	32	44	63	79	100
Category temperature range (°C)	—	φ 6.3:-55 to +135、 φ 8· φ 10:-55 to +150				
Capacitance tolerance (%)	120Hz/20°C	M: ±20				
Dissipation Factor (tan δ)	tan δ (max.) 120Hz/20°C	0.14	0.12	0.10	0.08	0.08
Leakage current (LC)	μ A/after 2 minutes (max.), 20°C	0.01CV				
Endurance	150°C rated voltage applied (With the rated ripple current)	Test	4,000hours			
		Δ C/C	Within ±35% of the initial value			
		tan δ	Not more than 200% of the specified value			
		ESR	Not more than 250% of the specified value			
	125°C, 135°C rated voltage applied (With the rated ripple current)	LC	Not more than the specified value			
		Test	4,000hours			
		Δ C/C	Within ±30% of the initial value			
		tan δ	Not more than 200% of the specified value			
Shelf Life	φ D=6.3: 135°C、 φ D≥8: 150°C、 1,000hours (with no voltage load)	ESR	Not more than 200% of the specified value			
		LC	Not more than the specified value			
		Shall meet the endurance spec above after voltage treatment at 20deg.C per JIS C 5101-4 4.1.				

■ Marking, Dimensions



(Unit: mm)

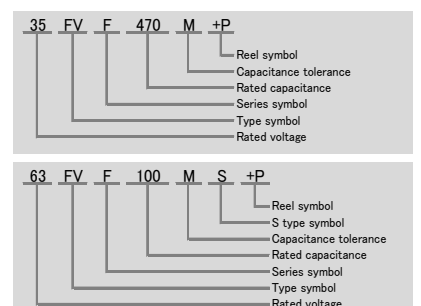
D ±0.5	L ±0.3	W ±0.2	H ±0.2	C ±0.2	R	P
6.3	7.7	6.6	6.6	7.3	0.5 to 0.8	2.2
8	10.5	8.3	8.3	9.0	0.7 to 1.0	3.2
10	10.5	10.3	10.3	11.0	1.0 to 1.4	4.6
10	12.5	10.3	10.3	11.0	1.0 to 1.4	4.6
10	13.8	10.3	10.3	11.0	1.0 to 1.4	4.6
10	16.5	10.3	10.3	11.0	1.0 to 1.4	4.6

■ Size, ESR, Rated Ripple Current

V	Items	Case size φ D × L (mm)	ESR (mΩ max.) (20°C/100kHz)	25			35			50			
				Rated ripple current (mA rms/100kHz)	125°C	135°C	150°C	Case size φ D × L (mm)	ESR (mΩ max.) (20°C/100kHz)	Rated ripple current (mA rms/100kHz)	125°C	135°C	150°C
33									6.3 × 7.7	40	2200	1500	—
68									8 × 10.5	30	3600	2700	1100
100		6.3 × 7.7	30	2700	1800	—			10 × 10.5	28	4300	3200	1400
120									10 × 10.5	28	4300	3200	1400
150									10 × 12.5	19	4700	3500	1600
180									10 × 13.8	18	5200	3900	1800
220		8 × 10.5	20	4000	3000	1200			10 × 16.5	13	5500	4100	2100
270									10 × 10.5	18	4600	3400	1600
330		10 × 10.5	18	4600	3400	1600			10 × 12.5	14	5200	3900	1800
360									10 × 13.8	13	5600	4200	2000
390									10 × 13.8	13	5600	4200	2000
470		10 × 12.5	14	5200	3900	1800			10 × 16.5	11	6000	4500	2250
560		10 × 13.8	13	5600	4200	2000							
680		10 × 16.5	11	6000	4500	2250							

V	Items	Case size φ D × L (mm)	ESR (mΩ max.) (20°C/100kHz)	63			80						
				Rated ripple current (mA rms/100kHz)	125°C	135°C	150°C	Case size φ D × L (mm)	ESR (mΩ max.) (20°C/100kHz)	Rated ripple current (mA rms/100kHz)	125°C	135°C	150°C
22		6.3 × 7.7	60	2000	1400	—							
33									8 × 10.5	45	3200	2400	900
47		8 × 10.5	40	3400	2600	1000							
56		8 × 10.5	40	3400	2600	1000			10 × 10.5	36	3600	2700	1100
68									10 × 12.5	32	4000	3000	1300
82		10 × 10.5	30	4000	3000	1250			10 × 13.8	28	4300	3200	1500
100		10 × 10.5★	30	4000	3000	1250			10 × 16.5	16	4800	3600	1800
		10 × 12.5	22	4600	3500	1450							
120		10 × 12.5★	22	4600	3500	1450							
		10 × 13.8	20	5000	3800	1700							
150		10 × 13.8★	20	5000	3800	1700							
		10 × 16.5	15	5300	4000	2000							
180		10 × 16.5	15	5300	4000	2000							

■ Part number



★ S type