



THINKING ELECTRONIC INDUSTRIAL CO., LTD.

HEAD OFFICE: 12F, No.93, Dashun 1st Rd., Zuoying Dist., Kaohsiung City 813328, Taiwan
TEL: 886-7-5577660 FAX: 886-7-5570560

MANUFACTURING SITE

- R** KAOHSIUNG FACTORY: No.6,Xinjian S. Rd.,Nanzi Dist., Kaohsiung City 811644,Taiwan
TEL: 886-7-9616668 FAX: 886-7-3866990
- R** KAOHSIUNG FACTORY 2: No. 2-2, Xinjian S. Rd., Nanzi Dist.,Kaohsiung City 811644, Taiwan
TEL: 886-7-9630001 FAX: 886-7-3635113
- R** CHANGZHOU FACTORY: No.6 Longmen Rd.,Wujin High & New-Tech Industrial Development Zone, Changzhou, Jiangsu, China 213161
TEL:86-519-86578999 FAX:86-519-86558643
- R** DONG GUAN FACTORY: No.45, East Rd., Sha-Tao Dist., Chang-An Town, Dongguan City, Guangdong, China 523863
TEL:86-769-85542016 FAX:86-769-85546890
- R** YICHANG FACTORY: No. 283 Xiaoting Avenue, Xiaoting Dist., Yichang City 443007, Hubei, China
TEL:86-717-6510010 FAX:86-717-6511430
- JIANGXI FACTORY: Tangying Road, Ceramics Industry Garden, Jingdezhen City, Jiangxi, China 333400
TEL:86-798-2621372 FAX:86-798-2126372
- R** ZHONGSHAN FACTORY: No. 75, Dexi East Road, Tanzhou Town, Zhongshan City, Guangdong Province, China 528467
Tel:86-760-86638988



SPECIFICATION FOR APPROVAL

CUSTOMER Codico-Sample shop

CERTIFIED _____

MODEL/TYPE _____

PART NO. BTSTD102BAB016E (RoHS)

APPLICATION _____

CUSTOMER P/N _____

ISSUE DATE Apr.7.2026

REV. NO. 1.0

REV. DATE _____

FOR CUSTOMER APPROVAL	CHECKED BY
	<i>Hu Feng</i>
	APPROVED BY
	<i>Hu Feng</i>



CUSTOMER: Codico-Sample shop

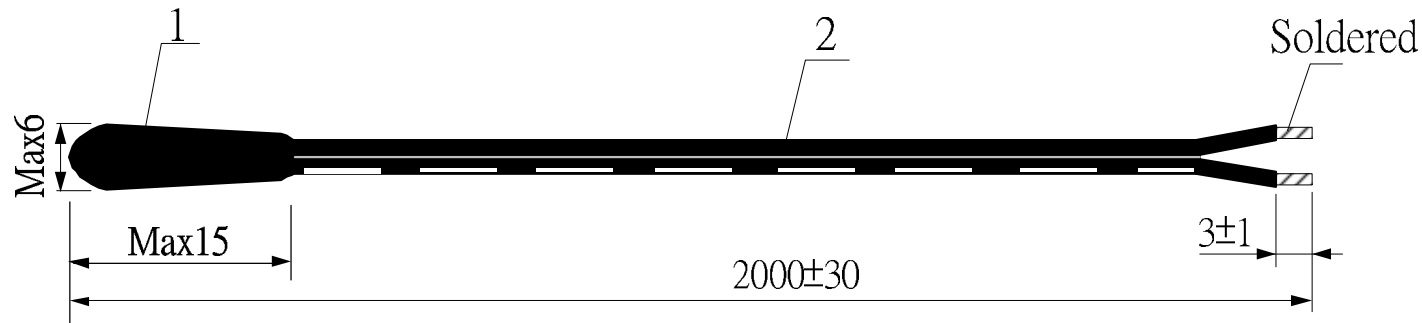
CUSTOMER P/N :

Part No. : BTSTD102BAB016E

REVISED RECORD SHEET

REV. NO	REV. DATE	REVISED CONTENT
1.0	2026/4/7	New Released

A. Material List		
NO.	ITEM	DESCRIPTION
*	ELEMENT	PT-1000
1	COATING RESIN	BLACK EPOXY
2	LEAD WIRE	UL2651#26×2C TS Black line (black background with white border)
B. Electrical Characteristic		
ITEM		VALUE
R0°C		1000Ω (Class B)
TCR		3850ppm/K
Note: The resistor R0 at 0°C is 1000Ω, and the line impedance is 0.123 Ω/m.		



							Customer	Codico-Sample shop
							Customer P/N	
							Thinking P/N	BTSTD102BAB016E
							Drawing NO.	BTS2604002
							Date	2026/4/7
							Tol: ±0.3mm	Unit: mm Scale:
1.0	2026/4/7	New Released		ZhouShaoXing	Hu Feng	Hu Feng	<i>THINKING ELECTRONIC INDUSTRIAL CO., LTD.</i>	
Rev.	Date	Subjects of Change	ECN No.	Designed by	Checked by	Approved by		

Customer: Codico-Sample shop

Thinking P/N: BTSTD102BAB016E

NO	PART NAME	PART P/N	Q'TY	FLAMMABILITY SOLID BURNING CLASS	UL FILE NO
*	ELEMENT	PT-1000	1		
1	COATING RESIN	BLACK EPOXY	1		
2	LEAD WIRE	UL2651#26×2C TS Black line (black background with white border)	1	VW-1	
REMARK					

Approved by: Hu Feng

Checked by: Hu Feng

Designed by: ZhouShaoXing

Specification of PT SENSOR for Temperature Measurement and Control

PART NO . BTSTD102BAB016E

CUSTOMER P/N .

1. Electrical characteristics

	Parameter	Symbol	Test Conditions	Tolerance	Unit.
a.	Resistance At 0°C	R ₀	R ₀ °C =1000Ω	Class B	Ω
b.	TCR		3850		ppm/K
c.	Insulation test		500V DC		MIN: 100 MΩ

2. Maximun Ratings

	Parameter	Specification	Unit
a.	Operation Temperature Range	-40 ----- +105	°C

PT1000 Temperature vs resistance

Tolerance class: B

Pt1000 TC 3850ppm

Permissible deviation : $Dt = \pm(0.30^{\circ}\text{C} + 0.005 \cdot |t|)$

Temperature	Resistance Rt	Sensibility	Permissible deviation	
°C	W	$\frac{W}{^{\circ}\text{C}}$	°C	W
-40	842.71	3.958	0.50	1.979
-30	882.22	3.945	0.45	1.775
-20	921.60	3.932	0.40	1.573
-10	960.86	3.920	0.35	1.372
0	1000.000	3.908	0.30	1.172
10	1039.025	3.897	0.35	1.364
20	1077.935	3.885	0.40	1.554
30	1116.729	3.874	0.45	1.743
40	1155.408	3.862	0.50	1.931
50	1193.971	3.851	0.55	2.118
60	1232.419	3.839	0.60	2.303
70	1270.751	3.827	0.65	2.488
80	1308.968	3.816	0.70	2.671
90	1347.069	3.804	0.75	2.853
100	1385.055	3.793	0.80	3.034
110	1422.925	3.781	0.85	3.214
120	1460.680	3.770	0.90	3.393
130	1498.319	3.758	0.95	3.570