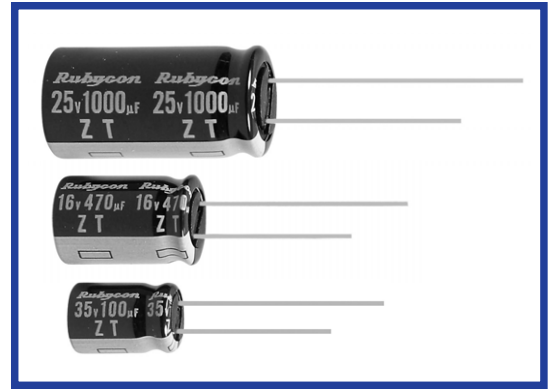


**ZT SERIES**
**125°C Low Impedance**
**◆FEATURES**

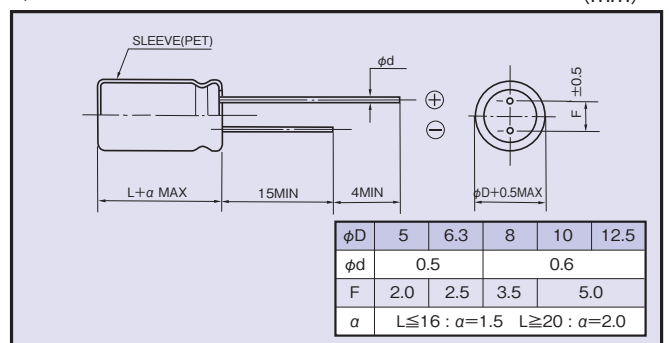
- Prescribe Impedance value at 100 kHz.
- Load Life : 125°C 1000~4000 hours.
- RoHS compliance.


**◆SPECIFICATIONS**

Items	Characteristics																		
Category Temperature Range	-40~+125°C																		
Rated Voltage Range	10~35Vdc																		
Capacitance Tolerance	±20% (20°C, 120Hz)																		
Leakage Current(MAX)	I=0.03CV or 3µA whichever is greater. (After 2 minutes) I=Leakage Current(µA)      C=Capacitance(µF)      V=Rated Voltage(Vdc)																		
(tanδ) Dissipation Factor(MAX)	<table border="1"> <tr> <td>Rated Voltage (Vdc)</td> <td>10</td> <td>16</td> <td>25</td> <td>35</td> <td>(20°C, 120Hz)</td> </tr> <tr> <td>tanδ</td> <td>0.20</td> <td>0.16</td> <td>0.14</td> <td>0.12</td> <td></td> </tr> </table> <p>When capacitance is over 1000µF, tanδ shall be added 0.02 to the listed value with increase of every 1000µF.</p>	Rated Voltage (Vdc)	10	16	25	35	(20°C, 120Hz)	tanδ	0.20	0.16	0.14	0.12							
Rated Voltage (Vdc)	10	16	25	35	(20°C, 120Hz)														
tanδ	0.20	0.16	0.14	0.12															
Endurance	<p>After applying rated voltage with rated ripple current for specified time at 125°C, the capacitors shall meet the following requirements.</p> <table border="1"> <tr> <td>Capacitance Change</td> <td>Within ±30% of the initial value.</td> <td rowspan="3"> <table border="1"> <tr> <th>Case Size</th> <th>Life Time (hrs)</th> </tr> <tr> <td>φD≤ 6.3</td> <td>1000</td> </tr> <tr> <td>φD=8</td> <td>2000</td> </tr> <tr> <td>φD= 10</td> <td>3000</td> </tr> <tr> <td>φD= 12.5</td> <td>4000</td> </tr> </table> </td> </tr> <tr> <td>Dissipation Factor</td> <td>Not more than 300% of the specified value.</td> </tr> <tr> <td>Leakage Current</td> <td>Not more than the specified value.</td> </tr> </table>	Capacitance Change	Within ±30% of the initial value.	<table border="1"> <tr> <th>Case Size</th> <th>Life Time (hrs)</th> </tr> <tr> <td>φD≤ 6.3</td> <td>1000</td> </tr> <tr> <td>φD=8</td> <td>2000</td> </tr> <tr> <td>φD= 10</td> <td>3000</td> </tr> <tr> <td>φD= 12.5</td> <td>4000</td> </tr> </table>	Case Size	Life Time (hrs)	φD≤ 6.3	1000	φD=8	2000	φD= 10	3000	φD= 12.5	4000	Dissipation Factor	Not more than 300% of the specified value.	Leakage Current	Not more than the specified value.	
Capacitance Change	Within ±30% of the initial value.	<table border="1"> <tr> <th>Case Size</th> <th>Life Time (hrs)</th> </tr> <tr> <td>φD≤ 6.3</td> <td>1000</td> </tr> <tr> <td>φD=8</td> <td>2000</td> </tr> <tr> <td>φD= 10</td> <td>3000</td> </tr> <tr> <td>φD= 12.5</td> <td>4000</td> </tr> </table>	Case Size		Life Time (hrs)	φD≤ 6.3	1000	φD=8	2000	φD= 10	3000	φD= 12.5	4000						
Case Size	Life Time (hrs)																		
φD≤ 6.3	1000																		
φD=8	2000																		
φD= 10	3000																		
φD= 12.5	4000																		
Dissipation Factor	Not more than 300% of the specified value.																		
Leakage Current	Not more than the specified value.																		
Low Temperature Stability Impedance Ratio(MAX)	<table border="1"> <tr> <td>Rated Voltage (Vdc)</td> <td>10</td> <td>16</td> <td>25</td> <td>35</td> <td>(120Hz)</td> </tr> <tr> <td>Z(-25°C)/Z(20°C)</td> <td>3</td> <td>2</td> <td>2</td> <td>2</td> <td></td> </tr> <tr> <td>Z(-40°C)/Z(20°C)</td> <td>6</td> <td>4</td> <td>3</td> <td>3</td> <td></td> </tr> </table>	Rated Voltage (Vdc)	10	16	25	35	(120Hz)	Z(-25°C)/Z(20°C)	3	2	2	2		Z(-40°C)/Z(20°C)	6	4	3	3	
Rated Voltage (Vdc)	10	16	25	35	(120Hz)														
Z(-25°C)/Z(20°C)	3	2	2	2															
Z(-40°C)/Z(20°C)	6	4	3	3															

**◆MULTIPLIER FOR RIPPLE CURRENT**

Frequency (Hz)		120	1k	10k	100k≤
Coefficient	22~33µF	0.20	0.50	0.80	1.00
	39~100µF	0.25	0.60	0.90	1.00
	120~270µF	0.35	0.70	0.92	1.00
	330~680µF	0.45	0.75	0.95	1.00
	820~1800µF	0.50	0.80	0.96	1.00
	2200µF	0.55	0.85	0.98	1.00

**◆DIMENSIONS** (mm)

**◆OPTION**

	Code
PET Sleeve	Blank

**◆PART NUMBER**

□□□	ZT	□□□□□	M	□□□	□□	DXL
Rated Voltage	Series	Capacitance	Capacitance Tolerance	Option	Lead Forming	Case Size

**◆STANDARD SIZE**

Rated Voltage (Vdc)	Capacitance (μF)	Size φD×L(mm)	Rated ripple current (mA r.m.s./125°C, 100kHz)	Impedance (Ω MAX)	
				20°C, 100kHz	-10°C, 100kHz
10	56	5×11	250	0.40	1.3
	120	6.3×11	405	0.17	0.53
	330	8×11.5	760	0.094	0.29
	470	8×16	995	0.073	0.23
	470	10×12.5	1030	0.069	0.21
	680	8×20	1250	0.054	0.17
	680	10×16	1430	0.050	0.16
	1000	10×20	1500	0.030	0.090
	1200	10×23	1620	0.029	0.086
	1500	12.5×20	1720	0.028	0.069
2200	12.5×25	1900	0.024	0.059	
16	47	5×11	250	0.40	1.3
	100	6.3×11	405	0.17	0.53
	220	8×11.5	760	0.094	0.29
	330	8×16	995	0.073	0.23
	330	10×12.5	1030	0.069	0.21
	470	8×20	1250	0.054	0.17
	470	10×16	1430	0.050	0.16
	680	10×20	1500	0.030	0.090
	820	10×23	1620	0.029	0.086
	1000	12.5×20	1720	0.028	0.069
1500	12.5×25	1900	0.024	0.059	
25	33	5×11	250	0.40	1.3
	56	6.3×11	405	0.17	0.53
	150	8×11.5	760	0.094	0.29
	220	8×16	995	0.073	0.23
	220	10×12.5	1030	0.069	0.21
	270	8×20	1250	0.054	0.17
	330	10×16	1430	0.050	0.16
	470	10×20	1500	0.030	0.090
	560	10×23	1620	0.029	0.086
	680	12.5×20	1720	0.028	0.069
	1000	12.5×25	1900	0.024	0.059
35	22	5×11	250	0.40	1.3
	56	6.3×11	405	0.17	0.53
	100	8×11.5	760	0.094	0.29
	120	8×16	995	0.073	0.23
	150	10×12.5	1030	0.069	0.21
	180	8×20	1250	0.054	0.17
	220	10×16	1430	0.050	0.16
	270	10×20	1500	0.030	0.090
	330	10×23	1620	0.029	0.086
	470	12.5×20	1720	0.028	0.069
	560	12.5×25	1900	0.024	0.059